

Master thesis and internship[BR]- Master's thesis : Advances in free-space quantum key distribution[BR]- Integration Internship : Centre Spatial de Liège

Auteur : Chaabani, Sélim

Promoteur(s) : Habraken, Serge

Faculté : Faculté des Sciences appliquées

Diplôme : Master en ingénieur civil en aérospatiale, à finalité spécialisée en "aerospace engineering"

Année académique : 2022-2023

URI/URL : <http://hdl.handle.net/2268.2/17887>

Avertissement à l'attention des usagers :

Tous les documents placés en accès ouvert sur le site le site MatheO sont protégés par le droit d'auteur. Conformément aux principes énoncés par la "Budapest Open Access Initiative"(BOAI, 2002), l'utilisateur du site peut lire, télécharger, copier, transmettre, imprimer, chercher ou faire un lien vers le texte intégral de ces documents, les disséquer pour les indexer, s'en servir de données pour un logiciel, ou s'en servir à toute autre fin légale (ou prévue par la réglementation relative au droit d'auteur). Toute utilisation du document à des fins commerciales est strictement interdite.

Par ailleurs, l'utilisateur s'engage à respecter les droits moraux de l'auteur, principalement le droit à l'intégrité de l'oeuvre et le droit de paternité et ce dans toute utilisation que l'utilisateur entreprend. Ainsi, à titre d'exemple, lorsqu'il reproduira un document par extrait ou dans son intégralité, l'utilisateur citera de manière complète les sources telles que mentionnées ci-dessus. Toute utilisation non explicitement autorisée ci-avant (telle que par exemple, la modification du document ou son résumé) nécessite l'autorisation préalable et expresse des auteurs ou de leurs ayants droit.



UNIVERSITY OF LIÈGE - FACULTY OF APPLIED SCIENCES

Advances in free-space Quantum Key Distribution

Author:

CHAABANI Sélim

Academic advisor:

HABRAKEN Serge

Committee members:

ABSIL Olivier
CLERMONT Lionel
GEORGES Marc
HERNANDEZ Yves

Master's thesis completed in order to obtain the degree of Master of Science in
Aerospace Engineering by Sélim CHAABANI

Academic year 2022-2023

Abstract

As modern societies rely on digital communications, the necessity for security becomes increasingly pressing. Nowadays, security is ensured thanks to complex mathematical operations that modern computers struggle to solve. However, the imminent emergence of quantum computers is suspected to change this situation. Among the different countermeasures, Quantum Key Distribution yields promising results. Quantum Key Distribution relies on the quantum properties of photons to distribute secured encryption keys between two parties. Many obstacles lie ahead towards global Quantum Key Distribution networks. This work introduces many of the challenges in implementing the technique widely, with a particular interest in free space operation

The present work explains the basic principles of Quantum Key Distribution and provides a presentation of its practical implementations. A review of optical fibre Quantum Key Distribution and its hurdles are introduced before considering free space as a transmission medium. Based on a thorough literature review, this study examines technical challenges and promising solutions for free-space Quantum Key Distribution from the photon source to the detectors. Afterwards, this thesis provides an analysis of the Chinese satellite Micius and the experiments conducted with it.

Following this discussion, this work presents an experimental photon source for Quantum Key Distribution. This study establishes the theoretical elements driving the design, from the non-linear optics considerations to the optics selection and including the laser source amplification. Then, this paper briefly questions the transposability of this source to space.

In light of the different aspects presented, this work discusses the current state of the technology and its feasibility on a large scale. This study concludes that provided some advances in the envisioned solutions to the current limitations, free-space Quantum Key Distribution is a promising technique that shows the potential to oppose the increased computing abilities of quantum computers and ensure global security.

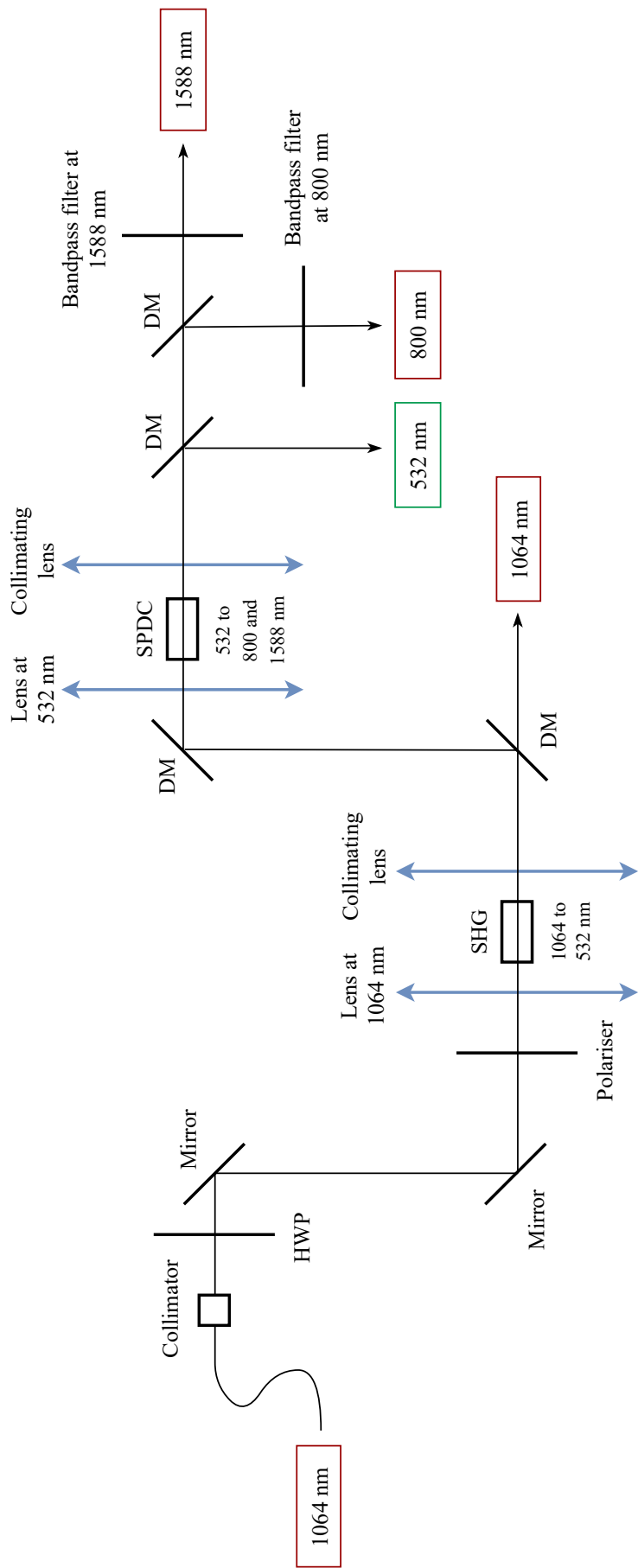


Figure 0.1: Conceptual optical design. The purpose of the setup is to focus the laser beam in the crystals at their centre. To guarantee the appropriate polarisation, a half-wave plate is used with a polariser. After each focusing, the output beams are collimated with converging lenses. The dichroic mirrors filter the output signal after the crystals. HWP: Half-wave plate. DM: Dichroic mirror

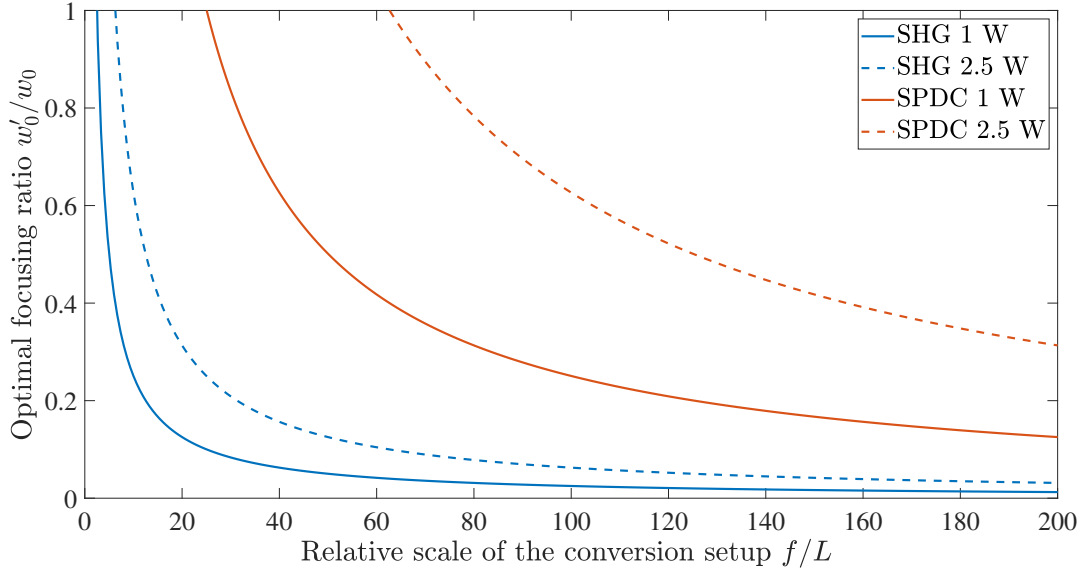


Figure 0.2: Optimal focusing ratio of the lens with respect to the scale of the conversion crystal expressed as the ratio of the focal length on the length of the crystal. The focusing ratio is the ratio of the targeted waist size in the crystal imposed by the material on the size of the beam at the focusing lens. The focusing ratio is optimal because the waist size in the crystal is the critical limit of the material.

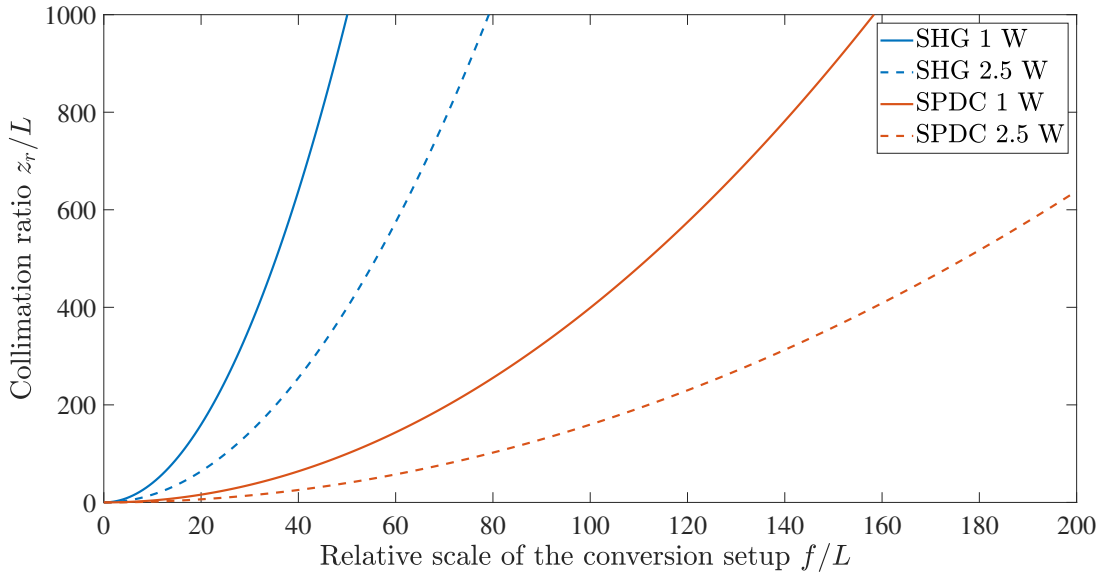


Figure 0.3: Rayleigh range of the collimated beam of adequate size as a function of the scale of the conversion module expressed as the ratio of the focal length on the length of the crystal. The waist used to compute the Rayleigh range is the optimal waist such that the focused spot size is exactly equal to the limit of the material.